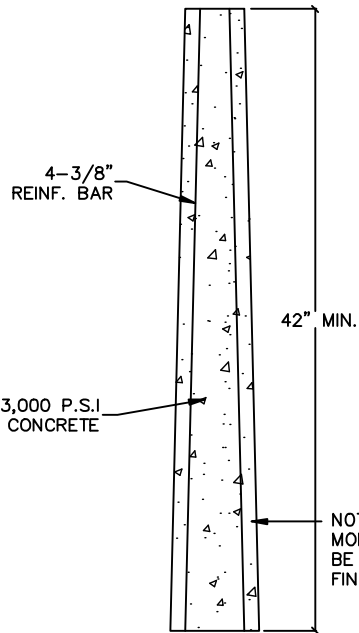
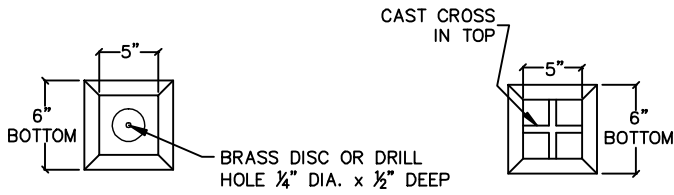
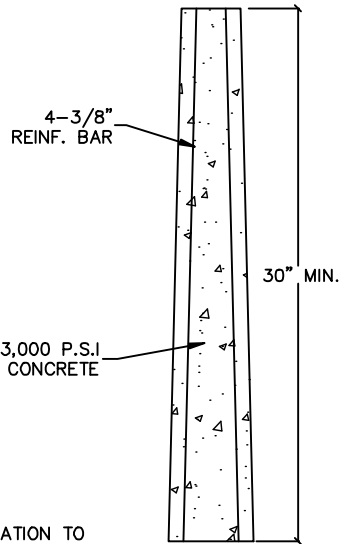


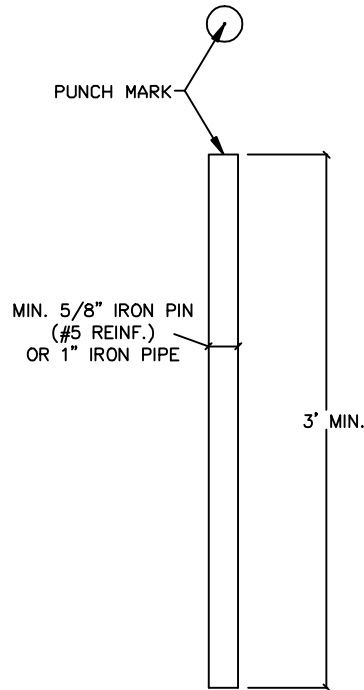
NOTE: ALL SURVEY POINTS SHALL BE PLACED AT FINISHED GRADE



CONCRETE MONUMENT



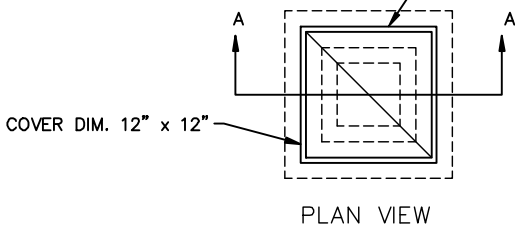
OPEN SPACE CONCRETE MONUMENT



IRON PIN OR IRON PIPE

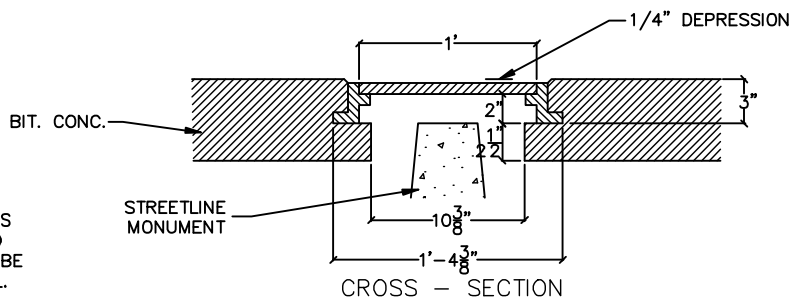
NOTE: MONUMENTATION TO BE SET EVEN WITH FINISHED GRADE.

CAST IRON FRAME & COVER FOR TOWN BOUNDARY MARKER  
MIN. WGT. 62 lbs. - CONFORM TO AASHTO - M105 CLASS 25  
(TO BE APPROVED BY TOWN ENGINEER)



PLAN VIEW

NOTE: 18" COPPER-COVERED STEEL SURVEY MARKERS MAY BE USED IN LIEU OF MONUMENT LOCATED IN DRIVEWAY. CUT-SHEET/SPECIFICATIONS TO BE SUBMITTED TO TOWN ENGINEER FOR APPROVAL.



CROSS - SECTION

STREETLINE MONUMENT IN PAVEMENT COVER DETAIL

NOT TO SCALE

TOWN OF SOUTH WINDSOR  
STANDARD DETAIL

MARCH, 2005

MONUMENTATION DETAILS

REVISED:

APPROVED

PUBLIC WORKS DIRECTOR