

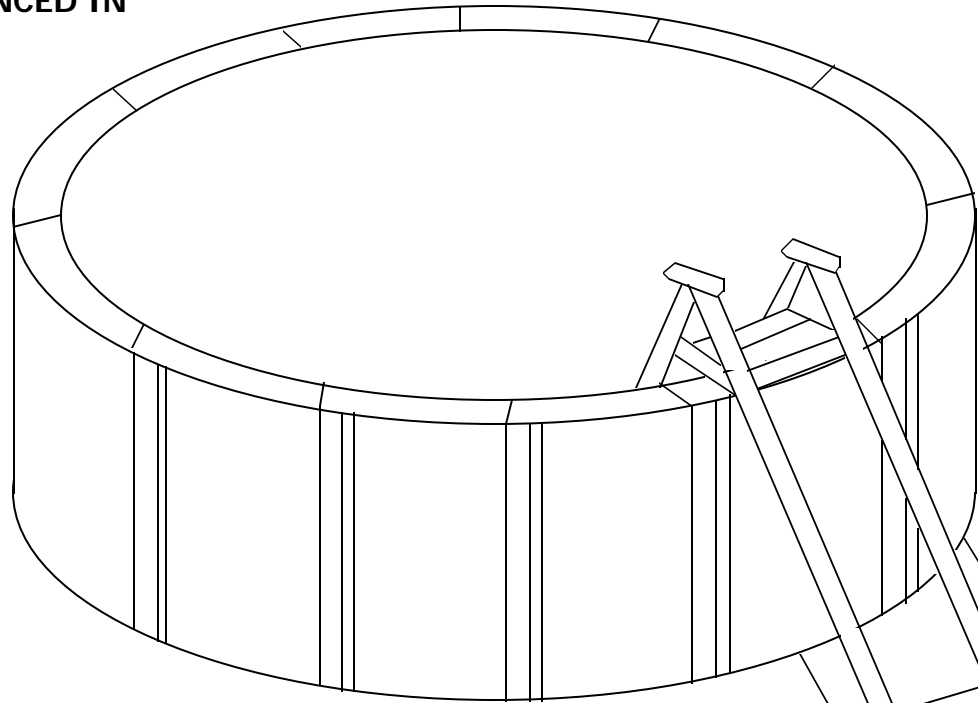
**PROVIDED BY THE  
TOWN OF SOUTH WINDSOR  
BUILDING DEPARTMENT**

**AN ELECTRICAL  
GUIDE TO  
SWIMMING POOLS**



**THE DRAWINGS CONTAINED IN THIS BROCHURE PERTAIN TO  
ARTICLE 680 OF THE 1999 NATIONAL ELECTRIC CODE.  
THE WRITTEN CODE TEXT SHALL APPLY.  
(DIGITALLY CONSTRUCTED BY MAREK KOZIKOWSKI OF THE  
SOUTH WINDSOR BUILDING DEPARTMENT.)**

**POOL MUST BE  
4 FEET HIGH OR  
FENCED IN**



**LADDER MUST  
BE FENCED IN**

**NO ELECTRICAL OUTLETS  
IN THIS AREA**

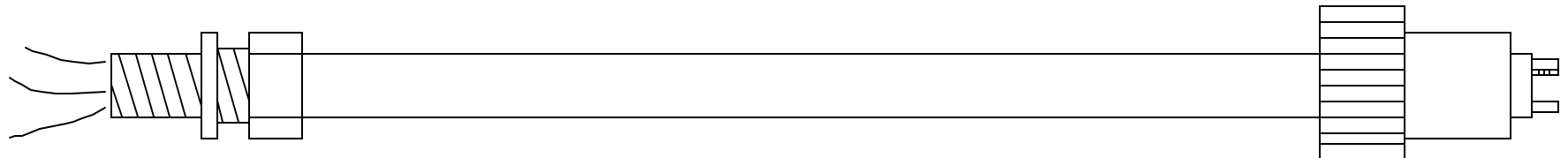
**0 TO 5 FEET**

**FENCED  
IN AREA**

**5 TO 10 FEET**

**GFCI CONVENIENCE  
OUTLET REQUIRED  
BETWEEN  
10 AND 20 FEET**

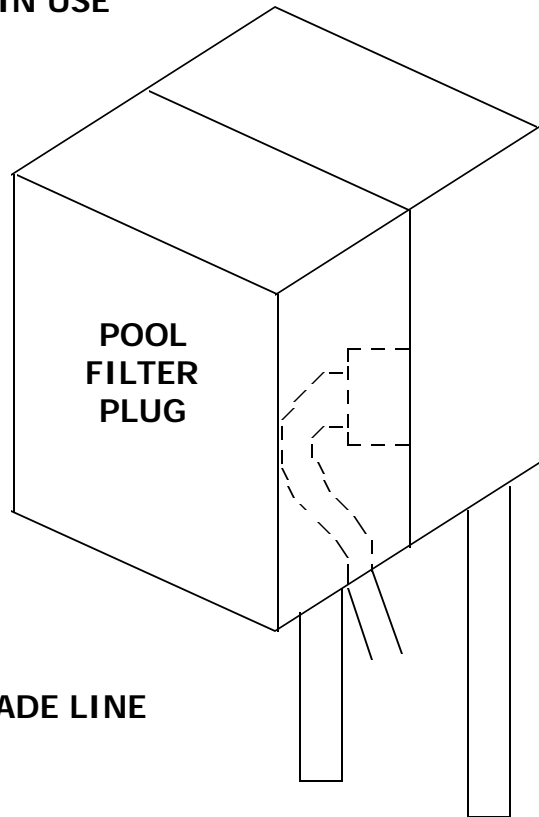
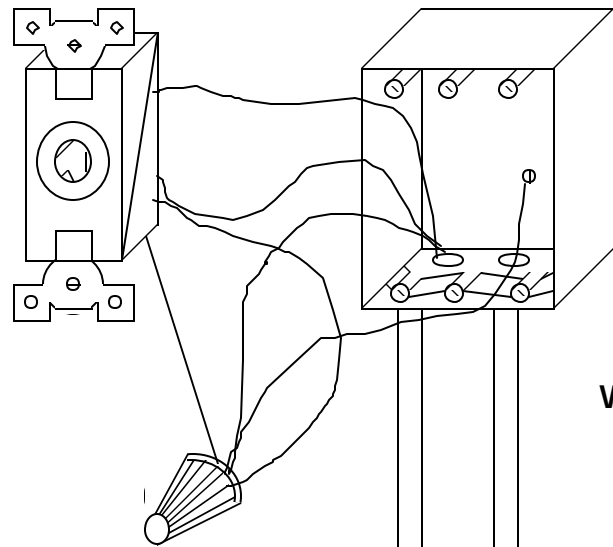
**OUTLET FOR POOL FILTER AND RELATED EQUIPMENT ONLY  
(E.G. POOL VACUUM PUMP, SOLAR HEATER ETC.) MUST BE  
GFCI PROTECTED AND TWIST LOCK CONFIGURATION**



3 FEET MAXIMUM 12/3 U.L. LISTED CORD WITH TWIST LOCK PLUG

20 AMP TWIST  
LOCK RECEPTICAL

WEATHER PROOF COVER MUST BE AP-  
PROVED TO BE RAIN TIGHT WHILE IN USE  
(TYPE TAYMAC OR EQUAL)



POOL  
FILTER  
PLUG

WEATHER PROOF BOX

LOCATED BETWEEN  
8 AND 18 INCHES  
ABOVE GRADE

GRADE LINE

4X4 POST FOR SUPPORT  
OF ELECTRICAL BOX AND  
CONDUIT

CONDUITS TO BE BURIED 12  
INCHES DEEP

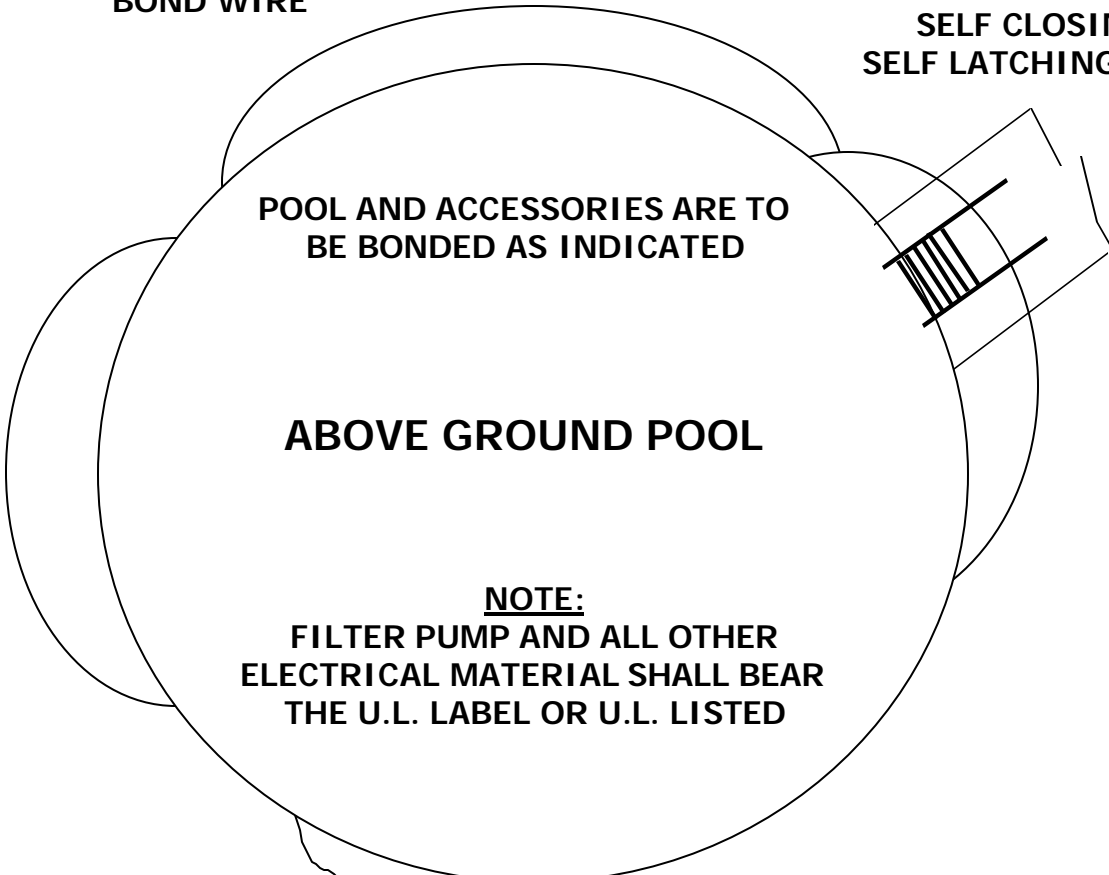
ALL MATERIAL MUST BE U.L.  
LABELED OR U.L. LISTED

1/2 INCH PVC CONDUIT FROM  
CIRCUIT BREAKER PANEL  
THREE #12 THHN INSULATED  
WIRES

NO ROMEX OR U.F. CABLE  
TO BE PULLED IN CONDUIT

#8 SOLID BARE COPPER  
BOND WIRE

LADDER SURROUNDED BY  
SELF CLOSING,  
SELF LATCHING GATE



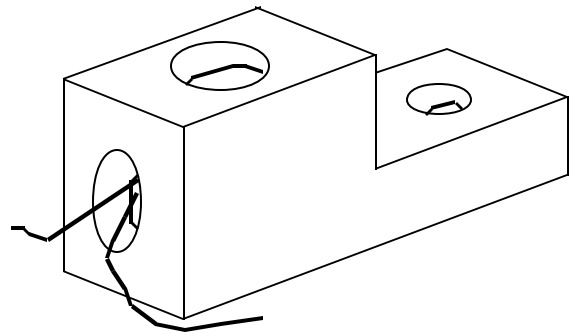
ITEMS TO BE BONDED:

- POOL FRAME
- METAL LADDER
- METAL FENCING
- POOL PUMP
- DIVING BOARD
- STAIR RAILS
- ANY METAL WITHIN 5 FEET OF THE POOL

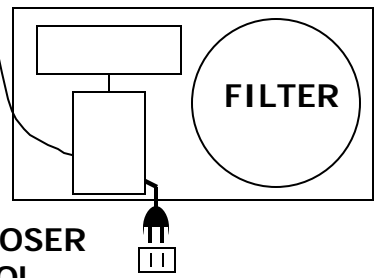
NOTE:  
FILTER PUMP AND ALL OTHER  
ELECTRICAL MATERIAL SHALL BEAR  
THE U.L. LABEL OR U.L. LISTED

TYPICAL BONDING LUG

BOND WIRE SHALL BE AN UNBROKEN  
LOOP OR RUN THROUGH THE LUG

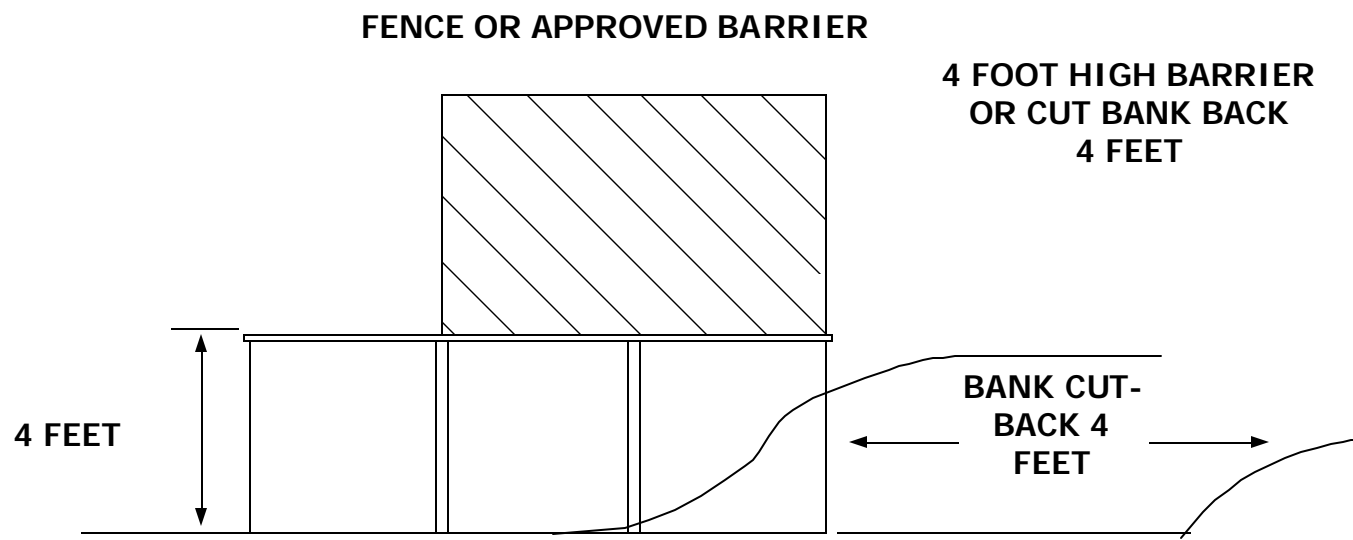


A GROUND ROD OR RETURN OF THE #8 BOND  
WIRE TO THE PANEL IS NOT REQUIRED

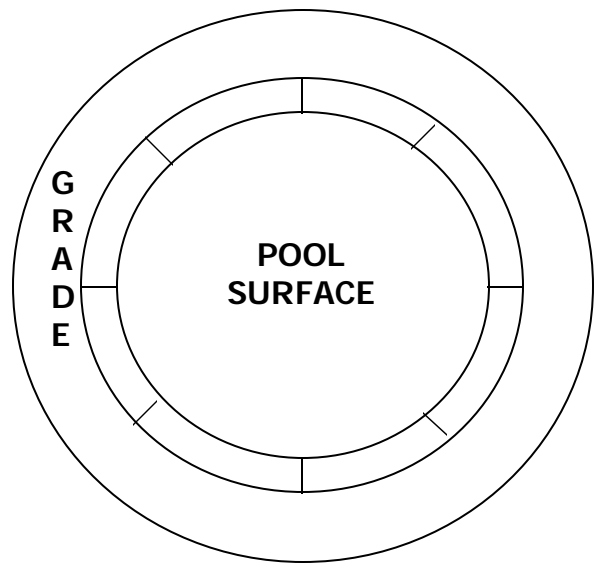


POOL FILTER TO BE NO CLOSER  
THAN 4 FEET FROM POOL

FILTER OUTLET NO CLOSER THAN 5  
FEET FROM POOL



**ELEVATION PLAN**



**TOP VIEW**

**4 FEET REQUIRED BETWEEN  
POOL AND ANY CHANGE IN  
GRADE**